



DLH400SDT Daylight Soft Light

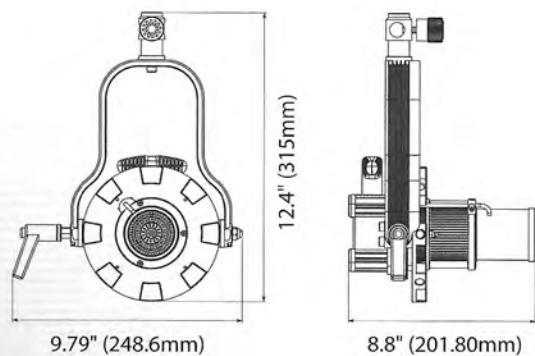
A dedicated 400/575 W soft light. Works with an amazing variety of soft boxes: dedoflex, Photoflex and Chimera. Two times the light output when compared to any soft box mounted to a Fresnel fixture. Perfectly even light distribution. Works with the proven dedolight DEB400DT ballast (same ballast as for DLH400DT focusing daylight fixture).

Integrated speed ring for dedoflex medium and PanAura®/Octodome 5.

For compatibility with soft boxes/domes of other manufacturers see page 88. For packing see page 37 "soft light packing".

Technical Data: DLH400SDT

Weight: 1575 g (3.4 lbs)
 Lamp: DL400DHR-NB 400 W daylight single ended, Hot Restrike
 Cable: DPOW400DT, 7 m (23')
 Mounting: 16 mm (5/8") receptacle and 28 mm (1 1/8") stud
 Safety: Auto cut-off when protective tube missing or damaged
 UV: Protective quartz glass tube with UV-cut function



dedolight PanAura®/Octodomes

Both dedolight PanAura®/Octodomes feature huge diffuser areas producing a beautiful, wrap around, soft light.

These PanAura®/Octodomes are extremely flat, making them ideal for work in confined spaces. The light output has to be seen to be believed and the light quality is absolutely stunning!

Several kits are available which utilize the PanAura®/Octodomes.

(See page 65 for detail.)



	DLPA5 (DSBOCT)	DLPA3 (DSBOCTS)
Assembled	150x150x40,5 cm (5'x5'x1.3')	88x88x34,5 cm (2.9'x2.9'x1.1')
Packed	85x20x10 cm (2.7'x7.9'x3.9')	57x20x9 cm (1.9'x7.9'x3.5')
Diffuser	150x150 cm (5'x5')	83x83 cm (2.7'x2.7')
Depth	40,5 cm (1.3')	34,5 cm (1.1')
Weight	1500 g (3.3 lbs)	757 g (1.67 lbs)
Works with lighthead	DLH400SDT DLH1000SPUS DLH4x150S	DLH200SDT
Grid 40°	DLPA5G (DLGRIDOCT)	DLPA3G (DLGRIDOCTS)