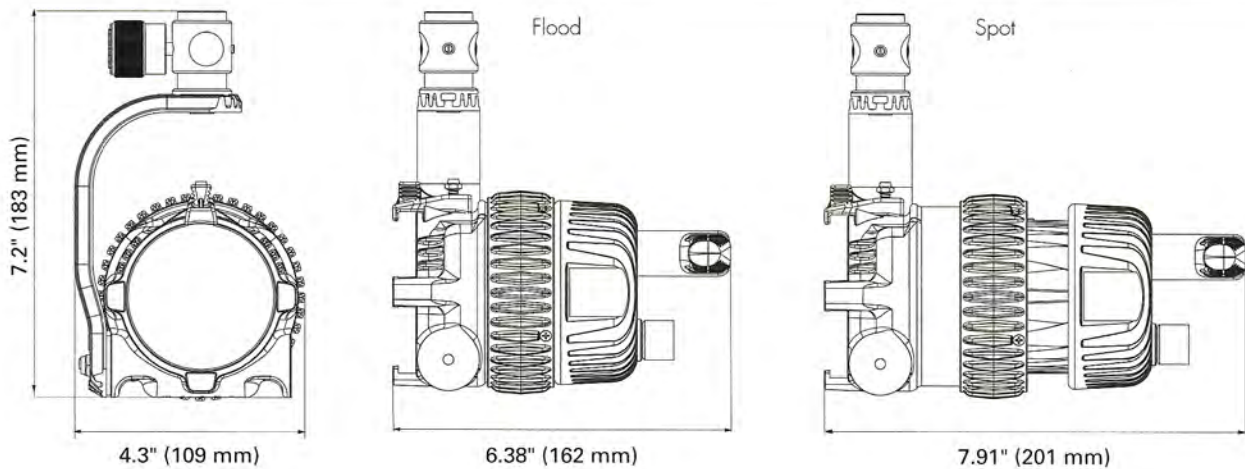


# DLED4 TECHNICAL DATA

## DLED4



### FOCUSING LED LIGHT HEAD: DLED4-D, DLED4-T, DLED4-BI

Focus Range (Intensity Range)	60-4° (1:20) with optional aspheric wide-angle attachment: 85-54°
Focus Control	One complete turn on focus ring
Power	40W
Mounting	5/8" (16 mm) receptacle and 1 1/8" (28 mm) stud
Operating Position	Any
Tilt Control	Permanent friction
Accessory Holder	3" (76 mm) diameter
Safety	Protection Class III, SELV, IP40
Cooling	Passive (no fan)
UV	No UV radiation
Weight	2.9lb (1,300g)
Size	W: 4.29" (109 mm) L (flood): 6.37" (162 mm) L (spot): 8.87" (200 mm) H: 3.94" (100 mm)

### DLED4-D Focusing LED Light Head. Daylight approx. 5600K

Distance	Meter	1	2	3	4	5
	Feet	3'	6'	9'	12'	15'
Flood	Lux	1,500	375	167	94	60
	Foot Candle	139	35	15	9	5.6
Medium	Lux	2,800	700	310	175	112
	Foot Candle	260	65	29	16	10.4
Spot	Lux	14,500	3,625	1,611	906	580
	Foot Candle	1348	337	150	84	54

### DLED4-T Focusing LED Light Head. Tungsten approx. 3200K

Distance	Meter	1	2	3	4	5
	Feet	3'	6'	9'	12'	15'
Flood	Lux	1,360	340	151	85	54
	Foot Candle	126	32	14	8	5
Medium	Lux	2,250	563	250	141	90
	Foot Candle	209	53	23	13	8.4
Spot	Lux	12,200	3,050	1,356	763	488
	Foot Candle	1,134	284	126	71	45

### DLED4-BI Focusing LED Light Head. Bicolor measured at 5600K – daylight

Color temperature continuously adjustable from 2700 – 6500K

Distance	Meter	1	2	3	4	5
	Feet	3'	6'	9'	12'	15'
Flood	Lux	1,580	395	176	99	63
	Foot Candle	147	37	16	9	6
Medium	Lux	2,850	713	317	178	114
	Foot Candle	265	66	30	17	11
Spot	Lux	12,100	3,025	1,344	756	484
	Foot Candle	1,125	281	125	70	45

Bicolor in tungsten function ~ 15 % lower output

# POWER OPTIONS FOR DLED4



## POWER SUPPLY FOR AC OPERATION: DT4, DT4-BI

Input Voltage	90 - 264 V AC * 50VA / 0.5 - 0.21 A 47 W
Output Voltage	40V
Controls	ON/OFF switch, dimming knob
Dimming	Continuously from 100-0%
Safety	Protection Class I, IP40
Cable length (plug -> power supply)	Mains cable 8.2' / 2.5 m
Cable length (plug -> light head)	Cable to light head 4.6' / 1.4 m
Mounting	Cable loop
Weight	2.2 lb / 1,000 g
Size	L: 8.3" (210 mm) W: 2.8" (72 mm) H: 2" (50 mm)

## DAYLIGHT / TUNGSTEN

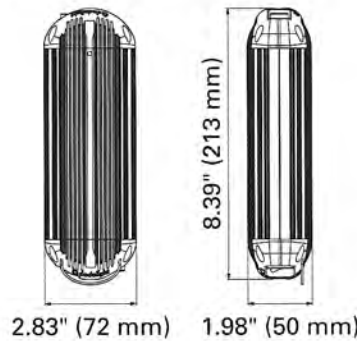
DT4 AC power supply for DLED4 tungsten and daylight light heads.

Allows worldwide use from 90 - 264 V AC 50/60 cycle plus continuous dimming.

Add suffix "DMX" for above ballasts with DMX control DT4-DMX.

The DC power supply DT4-BAT-XLR/DT4-BAT-AB (D-TAP) is much smaller and allows operation from any 10.2-18V source.

### DT4



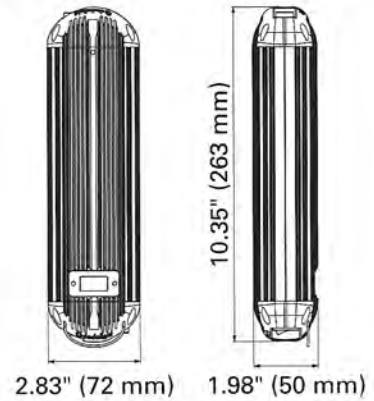
## BICOLOR

The DT4-BI, same as DT4 but with additional control for continuous change of color temperature from daylight to tungsten. Now with digital Kelvin value display.

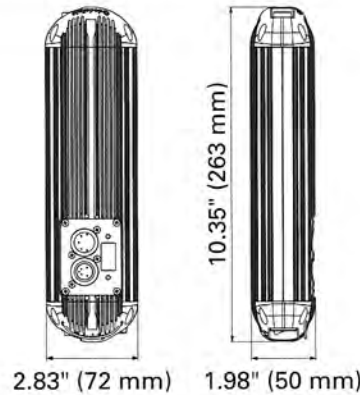
All bicolor ballasts for mobile use, which are used separately from the light head, work with a display, showing variations of color temperatures.

(example: C32 = color 3200 Kelvin and dimming status d50 = 50% intensity)

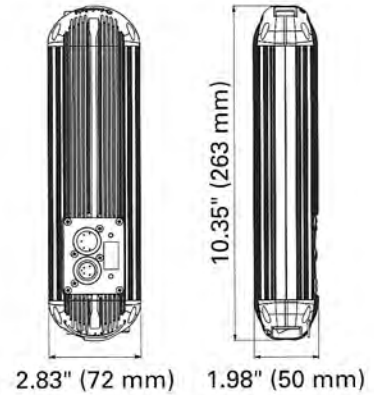
### DT4-BI



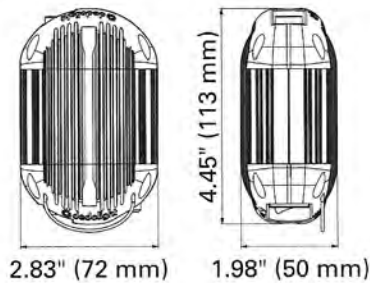
### DT4-DMX



### DT4-BI-DMX



### DT4-BAT-AB / DT4-BAT-XLR



### DT4-BI-BAT-AB / DT4-BI-BAT-XLR

