

DEDOLIGHT DLED TURBO SERIES DLED7

SMALL PACKAGE, DRASTICALLY ENHANCED OUTPUT ACTIVE COOLING – SILENT

Basic size is identical to the now very well accepted DLED4. Small, compact, elegant focusing, robust with double helical focusing mechanism. Now including a very quiet active cooling system enabling the use of much higher wattage LED light sources. Provides drastically enhanced light output. See comparison of the photometrics.

- Available in monocolour versions as daylight or tungsten.
- Also available as bicolor, tunable 2700K to over 6000K.
- Available with DMX as pole-operated versions (optional).

One of the most desirable, fully portable, very capable lighting packages for the small team with all the known dedolight advantages plus optional battery operation. For interview lighting, such small lights, when used as key or fill light, may possibly be regarded as relatively aggressive because of the drastically enhanced output. The use of the optional soft box turns it into a beautiful, gentle light source with a much larger area for pleasing lighting and still sufficient output to cover most everyday situations. Works perfectly with the third DLED7

light as a highly focusable and tunable back light or accent light.

For delicate and moody background projection. When such background projections are lifted slightly out of focus, you can easily create the illusion of a 3-dimensional world and depth.

Maybe the most versatile and unique tool for professional lighting, for use in the smallest team as well as for the highest demands in big blockbuster projects.

Comparison

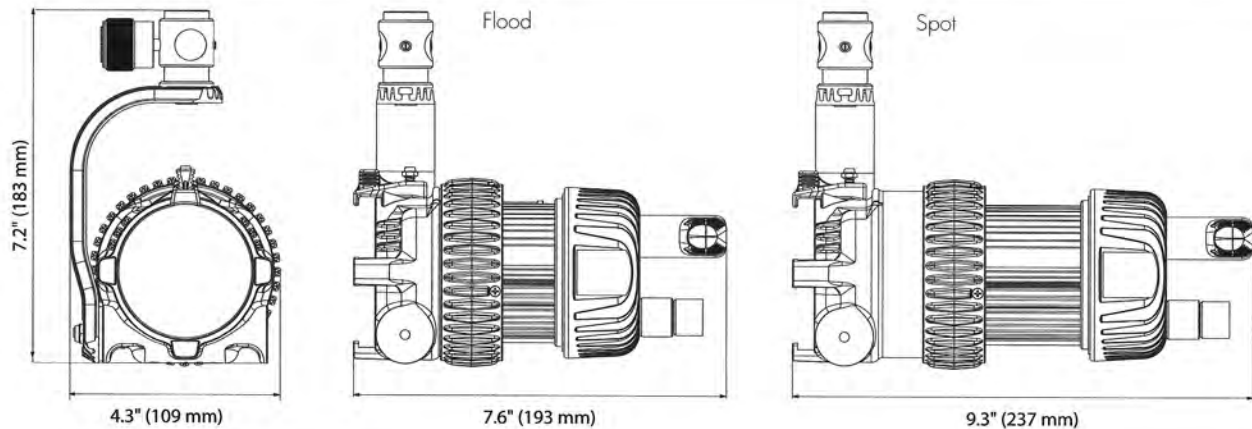
The comparison image shows four lighting fixtures arranged in two pairs. On the left pair, the DLED4-D is a black, adjustable head with a yellow ring around the lens, and the DT4 (AC Ballast) is a vertical, cylindrical, ribbed fixture. On the right pair, the DLED7-D is similar to the DLED4-D but larger, and the DT7 (AC Ballast) is similar to the DT4 but also larger. Below each fixture is its name and weight.

DLED4-D Weight: 2.9 lbs (1.3 kg)	DT4 (AC Ballast) Weight: 2.2 lbs (1 kg)	DLED7-D Weight: 3.1 lbs (1.4 kg)	DT7 (AC Ballast) Weight: 3.1 lbs (1.4 kg)
--	---	--	---

Light Head (Focus Range)	Turbo Series						
	DLED4-D (60°-4°)	DLED4-BI (D) (60°-4°)	DLED7-D (60°-6°)	DLED7-BI (D) (60°-8°)	DLED9-D (50°-4°)	DLED9-BI (D) (50°-4°)	Arri 300 (55°-15°)
Lux Flood at 1m	1,500	1,580	2,500	2,600	5,080	5,050	4,500
Lux Spot at 1m	14,500	12,100	38,000	21,000	60,000	43,000	16,803
Power Consumption	41 W	44 W	90 W	90 W	90 W	90 W	304 W

DLED7 TURBO TECHNICAL DATA

DLED7-D, DLED7-T, DLED7-BI



FOCUSING LED LIGHT HEAD: DLED7-D, DLED7-T, DLED7-BI

Focus Range (Intensity Range)	60-4° (1:20) with optional aspheric wide-angle attachment: 85-54°
Focus Control	One complete turn on focus ring
Power	Max. Power Consumption 90W Even for bicolor version, which operates, alternating between 2 x 90W light sources
Mounting	5/8" (16 mm) receptacle and 1 1/8" (28 mm) stud
Operating Position	Any
Tilt Control	Permanent friction
Accessory Holder	3" (76 mm) diameter
Safety	Protection Class III, SELV, IP20
Cooling	Active Silent Cooling
UV	No UV radiation
Weight	2.9 lb (1,300g)

DLED7-D Focusing LED Light Head. Daylight approx. 5600K

Distance	Meter	1	2	3	4	5
	Feet	3'	6'	9'	12'	15'
Flood	Lux	2,500	625	278	156	100
	Foot Candle	232	58	26	15	9
Medium	Lux	4,760	1,190	529	298	190
	Foot Candle	442	111	49	28	18
Spot	Lux	38,000	9,500	4,222	2,375	1,520
	Foot Candle	3,532	882	392	221	141

DLED7-T Focusing LED Light Head. Tungsten approx. 3200K

Distance	Meter	1	2	3	4	5
	Feet	3'	6'	9'	12'	15'
Flood	Lux	2,600	650	289	163	104
	Foot Candle	242	60	27	15	9,7
Medium	Lux	4,875	1,219	542	305	195
	Foot Candle	453	113	50	28	18
Spot	Lux	21,000	5,250	2,333	1,313	840
	Foot Candle	1,952	488	217	122	78

DLED7-BI Focusing LED Light Head. Bicolor measured at 5600K – daylight

Color temperature continuously adjustable from 2700 – 6500K

Distance	Meter	1	2	3	4	5
	Feet	3'	6'	9'	12'	15'
Flood	Lux	2,150	538	239	134	86
	Foot Candle	200	50	22	13	8
Medium	Lux	3,757	939	417	235	150
	Foot Candle	349	87	39	22	14
Spot	Lux	15,400	3,850	1,711	963	616
	Foot Candle	1,431	358	159	90	57

Bicolor in tungsten function ~ 15 % lower output