



## The Imager

Dedolight projection attachments are used to produce defined light and shadow patterns with absolute precision and infinite variations. They fit the front accessory slot of the DLH200D daylight/tungsten focusing light head and all classic Dedolights (except the DLOBA<sup>2</sup> on-board light).

Because the Dedolight and its projection attachment are a uniquely matched optical system, effective output is greater than offered by other fixtures with much higher wattage.

Dedolight projection attachments produce a clean shadow, high resolution and sharpness, as well as unrivaled contrast between black shadow and clean light with absolutely no color fringing. Use of interchangeable lenses controls size and intensity allowing working ranges from table top close ups to longer distances.

Our projection attachments have been used on Fresnel lights of other manufacturers, but unfortunately, with a sacrifice in light efficiency and image quality.

## Imager Lenses

The Dedolight projection attachment employs interchangeable lenses with different focal lengths to produce various angles and image sizes similar to the way lenses are used on a camera.

60 mm or 85 mm lenses for projecting a larger image. The 85 mm lens can project an image with a diameter of 135 cm (53") at a distance of 2 m (6-1/2'). The 185 mm lens can project an image with the same diameter (135 cm/53") at a distance of 5 m (16').

Note: Refer to "Photometrics" on page 93 for additional projection data.

These projection lenses are specifically designed for the Dedolight system. They are high quality lenses with metal barrels designed to withstand high heat.

### DPL60M – 60 mm lens, f2.4

General purpose, wide angle lens.  
Weight: 150 g (5.3 oz.)

### DPL85M – 85 mm lens, f2.8

Standard projection lens. Supplied as standard part of DP1 and DP2.  
Weight: 153 g (5.4 oz.)

### DPL185M – 185 mm lens, f3.5

Has the longest focal length of the Dedolight projection lenses.  
Weight: 516 g (1.1 lb.)

### DPLZ120M – 70–120 mm zoom lens, f3.5

Variable focal length lens allowing precise adjustment of image size.  
Weight: 516 g (1.1 lb.)

### DPLZ150M – 85–150 mm zoom lens, f3.5

Variable focal length lens allowing precise adjustment of image size.  
Weight: 516 g (1.1 lb.)

### DPX – Extension tube

Works like a macro extension tube on a camera. Mounts between the projection attachment and projection lens. Extends the projection attachment by 60–100 mm. For projecting light and shadow shapes at short distances and for very small effects.  
Weight: 105 g (3.7 oz.)





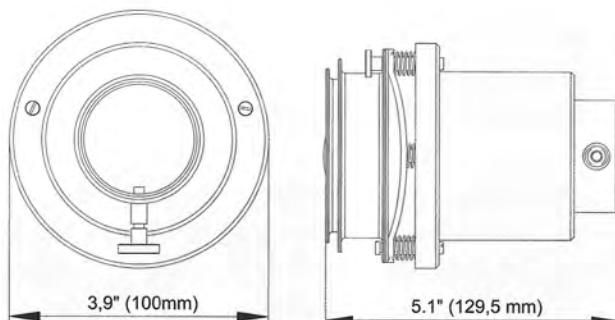


## DP 1 Imager Projection Attachment

The DP1 Imager offers the greatest versatility with a spring loaded accessory slot to accept a wide range of imaging accessories.

**DP1** – Universal projection attachment. Supplied with an 85 mm metal-mounted lens (DPL85M) and soft storage pouch. Weight: 437 g (15.4 oz.)

**DP10** – Universal projection attachment. Same as DP1 but without lens. Weight: 284 g (10 oz.)

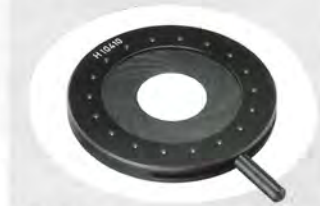


**DPFS** – Framing shutter blades. Supplied in a set of four. You can insert 3, 4 or even 5 of these framing shutter blades to form triangles, squares, rectangles, trapezoids and other shapes. Weight: 28 g (1 oz.)



DPFS

**DPIR** – Iris. A full metal iris allowing the creation of almost perfectly round images in varying sizes. The standard Dedolight iris features a continuous movement of 18 leaves. Weight: 48 g (1.7 oz.)



DPIR

**DPGH** – Gobo holder. A two part holder for round, standard M size Ø 66 mm metal gobos (shadow patterns). Weight: 22 g (0.8 oz.)

**DPGGH** – Glass gobo holder. A two part holder for round, standard M size Ø 66 mm glass gobos. Will hold 1.75–5.25 mm thick gobo. Weight: 26 g (0.9 oz.)



**DPSH** – Slide holder. Accepts any mounted 35 mm transparency. Warning: Use only in conjunction with the Dedolight heat filter (DHF). Weight: 45 g (1.6 oz.)

**DPACP** – Accessory pouch for Imager/Projection attachment. Four compartments for gobos, scrims, filters, framing shutters, etc.

**DHF** – Heat filter. This glass filter with heat reflective coating, round metal frame and plastic safety handle reduces heat reaching the inserted transparency. Note: Some temporary loss of effectiveness when used for considerable duration.

Note: When using the DPSH slide holder and DHF heat filter, the maximum lamp wattage should not exceed 100 W. The heat filter will sustain transparency life for short periods. If more light output and longer transparency life is desired, use the DP3 imager with forced air-cooling. The DP3 also offers image plane adjustments to maintain edge-to-edge sharp focus when projecting off axis.





## DP2 Imager Projection Attachment

All optical qualities are identical to those of the universal imager (DP1).

The DP2 does not accept other accessories such as an iris, gobo holder or slide holder but is compatible with the DPEYASET eye attachment.

- The four shutter blades are built in and cannot be lost.
- A thin separator disc keeps the four blades from touching each other, eliminating the risk of accidentally moving one blade while manipulating another.
- The DP2 projection attachment was designed especially for gaffers and others who may need to change the projected shape frequently.

**DP2** – Single function projection attachment. Supplied with an 85 mm metal mounted lens (DPL85M) and storage pouch. Weight: 494 g (1.1 lb.)

**DP20** – Single function projection attachment. Same as DP2 but without lens. Weight: 340 g (12 oz.)

## DP3 Imager Projection Attachment

Slide and gobo projection imager with forced air cooling and adjustable image plane. All optical qualities and projection characteristics are identical to those of the universal imager (DP1), including the use of interchangeable lenses for controlling image size and working at different distances.

The DP3 features a built in multispeed fan with in-line power supply and a high efficiency cooled heat reflecting filter. Allows the use of 35 mm transparencies for prolonged periods even with 150 W Aspherics<sup>2</sup> light heads or the 200D daylight/tungsten focusing light head.

The image plane adjustment allows edge to edge focus even for off axis projections with combined vertical and horizontal correction.

Either framed 35 mm transparencies or M size gobos can be inserted.

**DP3** – Slide and gobo projection attachment. Supplied with an 85 mm metal mounted lens (DPL85M) and storage pouch. Includes multispeed 12 V power supply for fan. Weight: 815 g (1.8 lb.)

**DP30** – Slide and gobo projection attachment. Same as DP3 but without lens. Weight: 661 g (1.5 lb.)

