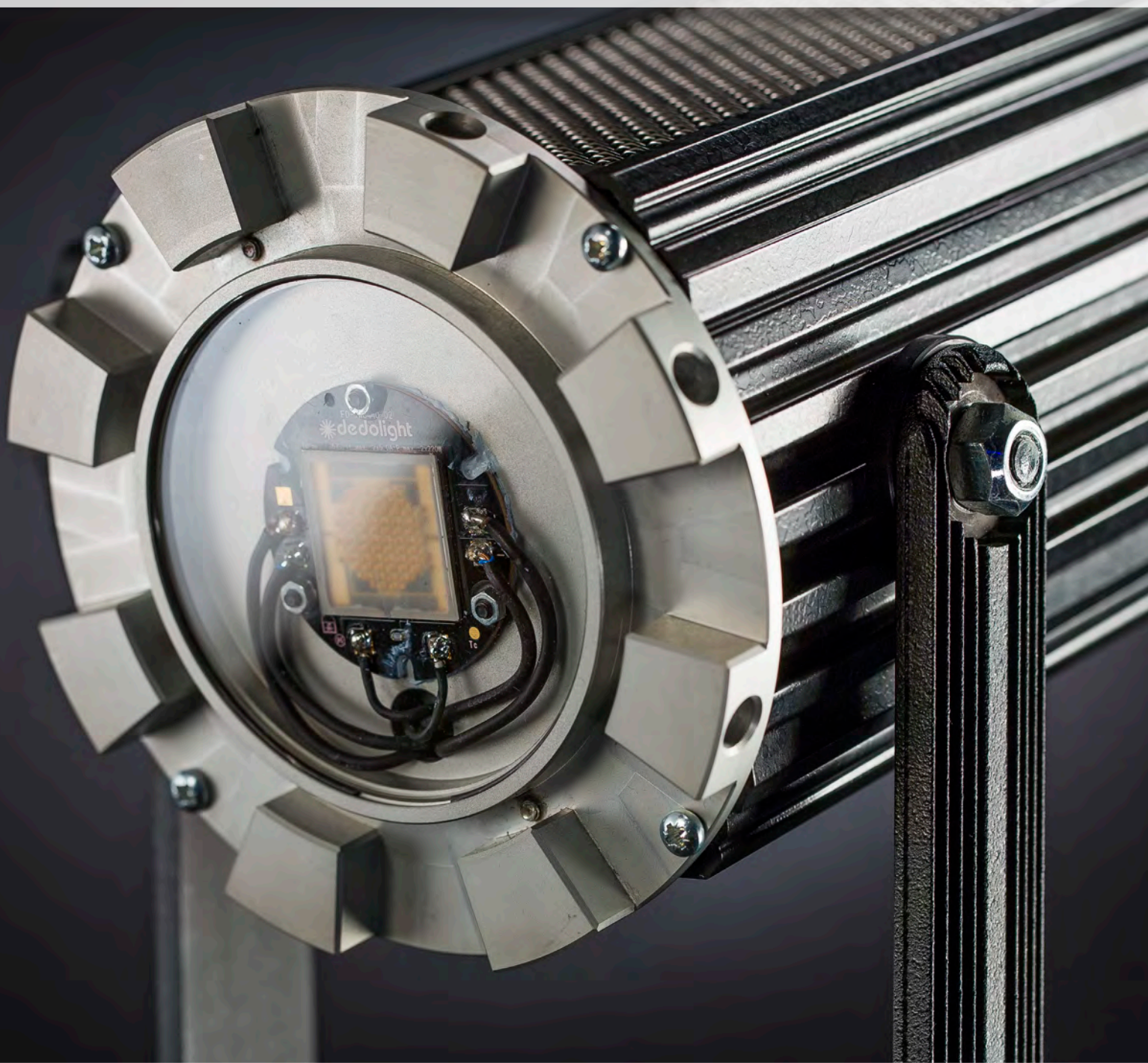


dedolight®

PRECISION LIGHTING INSTRUMENTS



LEDRAPTOR BICOLOR

09/18 English

THE SOFT FACE OF LIGHT – NEW DEFINITIONS

We are well-known for our precision lighting instruments – optical systems with unprecedented precision.

Clean beam, no stray light. Within the beam totally homogeneous without hotspots.

Optical ‚imaging‘ with razor-sharp light/shadow edges.

Projection optics which can live up to any of the most expensive camera lenses. Perfect performance, super high transmission, perfect resolution. None of the seven sins of imaging, but at an exceptional price.

Precision light AND precision shadows.

Similarly, for the creative composition of images we also need the gentle, subtle light/shadow transitions, often called soft lights.

Also in this respect we pursued perfection.

Large light-emitting surfaces with a character lovingly embracing the objects of desire – a wrap-around light.

Totally without hotspot.

LEDRAPTOR – The Concept

Our LED soft light – Panaura experience translated and refined in the LED world.

High light output, high efficiency, optimum light distribution. Slim / flat construction, also useful in hanging application in rooms with low ceilings.

Perfect color rendition, beautiful skin tones.

Dimmable continuously without any change of color quality.

Color temperature adjustable from 2700K all the way to 6500K.

These lights can be used on their own for beautiful mood lighting, very gentle and subtle, but they can also serve in combination with structured light as we offer with our focusing lights and with the entire range of reflected light – dedolight Lightstream. For such scenic lighting with a structured character the Ledraptor lights offer a gentle mix, even with fine nuances of color temperature, to create and perceive magic. Amazing moods, even in very subtle, hardly noticeable ways.

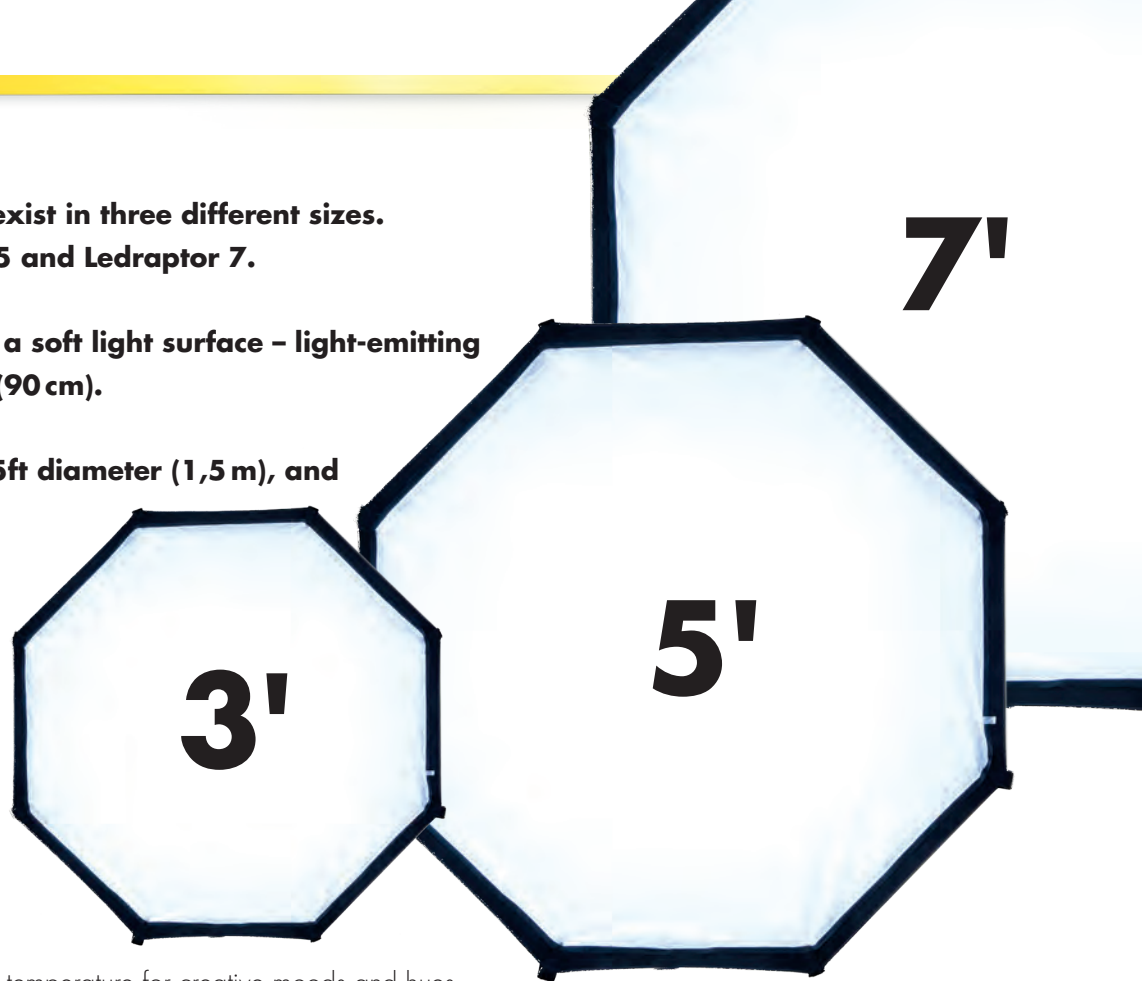


**LEDRAPTOR Soft Lights exist in three different sizes.
Ledraptor 3, Ledraptor 5 and Ledraptor 7.**

Ledraptor 3 symbolizes a soft light surface – light-emitting area with 3ft diameter (90 cm).

Ledraptor 5 stands for 5ft diameter (1,5 m), and

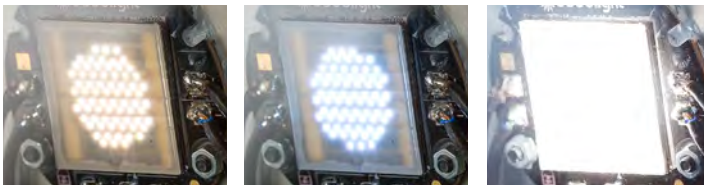
Ledraptor 7 is the biggest one with 7ft diameter (2,1 m).



The beauty of fine-tuning color temperature for creative moods and hues.



LEDRAPTOR 3 BICOLOR



tungsten + daylight = all in one

2 Light sources = 1 Light source

We talk about 2 x 220W, but we have only one light source. On this light source we have a multitude of daylight LEDs, and like on a chess board also a multitude of tungsten LEDs.

220W daylight and at the same time 220W tungsten. Allowing continuous change of color temperature from 2700K to 6500K.

All with one single button or by DMX control (even with additional adapter for wireless operation). Color quality is the best that is achievable in today's LED technology.

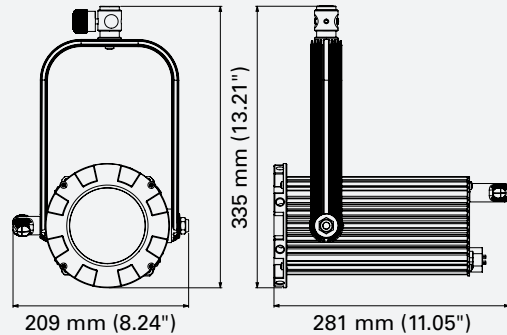


DLRAP3-BI

Ledraptor 3 LED soft light

Technical Data: DLRAP3-BI

2 x 220 W Bicolor 2700-6500K, CRIa (3200) 96, CRIa (5600) 97, TLCI (3200) 97, TLCI (5600) 96

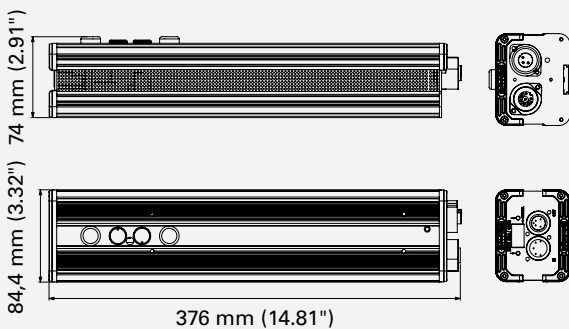


Ledraptor 3 (2x220W)	lux Front diffuser only			lux with additional inner diffuser		
	1 m	2 m	3 m	1 m	2 m	3 m
daylight	2.070	518	230	1.530	383	170
tungsten	1.710	428	190	1.287	383	143

LEDRAPTOR 3 – POWER SUPPLY

Technical Data: DT10-BI

AC 90-264V / 50-60HZ, Max. Power: 256 VA, Prof. Class: IP 20



DT10-BI

Bicolor power supply
Weight: 2,4 kg / 5.3 lb



DEB400H

Stand mounting with slide-in holder
with CLAMP-D

LEDRAPTOR 3 Set with 3ft (90 cm) textile reflector



Option:



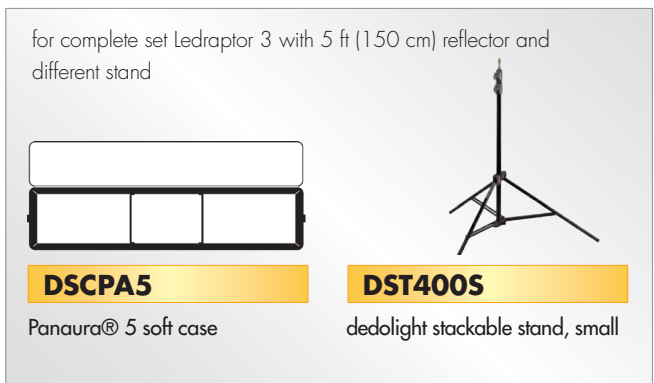
LEDRAPTOR 3 Set with 5ft (150 cm) textile reflector



Option:



Packing Options:

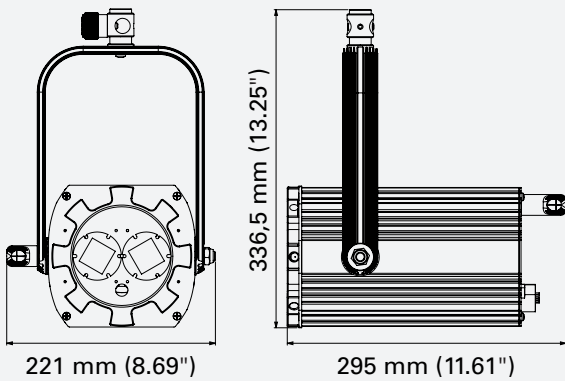


LEDRAPTOR 5 BICOLOR

Two light sources side by side,
each with 2 x 220 bicolor capability

Technical Data: DLRAP5-BI

2x 2x220W, Bicolor 2700-6500K,
CRIa (3200) 96, CRIa (5600) 97,
TLCI (3200) 97, TLCI (5600) 96



DLRAP5-BI

Ledraptor 5 LED soft light

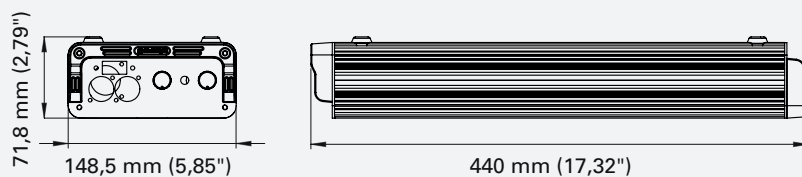
Ledraptor 5 (2x 2x220W)	lux, Front diffuser only			lux, with additional inner diffuser		
	1 m	2 m	3 m	1 m	2 m	3 m
daylight	5.355	1.339	595	4.095	1.024	455
tungsten	4.545	1.136	505	3.510	878	390

DT20-BI POWER SUPPLY FOR LEDRAPTOR 5

Technical Data: DT20-BI

Tech: mains voltage:
AC 90-264V / 50-60HZ

Max. Power: 480 VA, Prot. Class: IP 40
Weight: 3,7kg / 8.2lb



DT20-BI

LEDRAPTOR 5 Set with 5ft (150 cm) textile reflector



textile reflector
5' (150 cm)

SETDLRAP5PA5-BI

Complete set consisting of: Light head DLRAP5-BI, power supply DT20-BI, cable DPOW20, textile reflector 5 ft (150 cm), DLRAP3-P, Protection transport cover

Options:



DLPA5G
5ft louvre/grid



DST400S
dedolight stackable stand, small

DSCPA5
Panaura 5 soft case



DEB400H
Ballast holder with CLAMP-D



CLAMP-D
Clamp with 1/4" internal thread and hex. receptacle, fits diameter from 25 mm (0,98") to 52 mm (2")



LEDRAPTOR 7 – HIGH POWER

This is our most powerful LED soft light working with four different light sources, each of which is capable of 2 x 220 W bicolor function.

Total power consumption is close to 1000 W.

This concept makes it necessary, to employ a super modern, very special version of heat pipe cooling and actually 4 of those combined, which accounts for the unusual shape of the light head.

In order to keep the noise down, there are 8 fans operating at low revolution, very special fan and super modern cooling concept for longevity and continuous use.

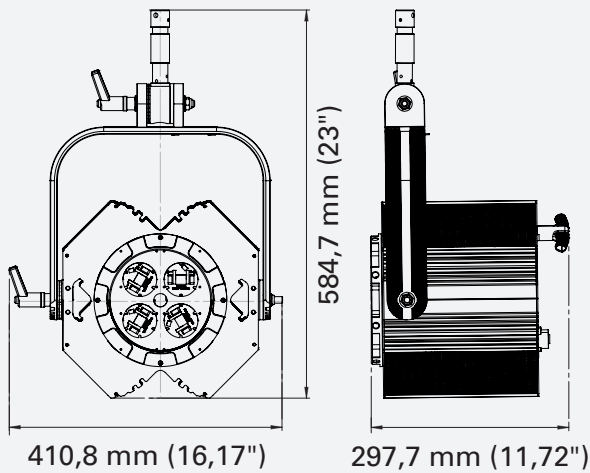


DLRAP7-BI

Ledraptor 7 LED soft light

Technical Data: DLRAP7-BI

Tech.: 4x 2x220W Bicolor 2700-6500K,
CRI_a (3200) 96, CRI_a (5600) 97,
TLCI (3200) 97, TLCI (5600) 96



Ledraptor 7 (4x 2x220W)	lux, Front diffuser only			lux, with additional inner diffuser		
	1 m	2 m	3 m	1 m	2 m	3 m
daylight	10.350	2.588	1.150	7.920	1.980	880
tungsten	8.910	2.228	990	6.732	1.683	748

POWER SUPPLY - DT40-BI FOR LEDRAPTOR 7

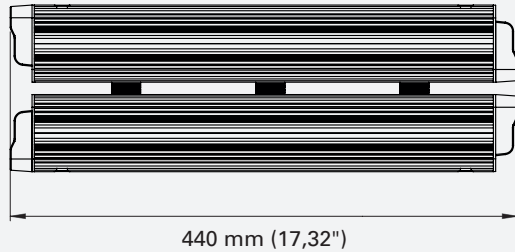
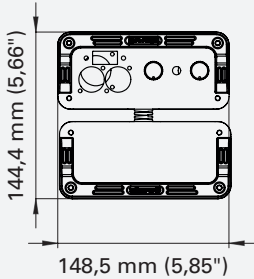
Technical Data: DT40-BI

AC 90-264 V / 50-60HZ

Max. Power: 935 VA

Prot. Class: IP 40

Weight : 10 kg / 22lb



DT40-BI

LEDRAPTOR 7 Set with 7ft (210 cm) textile reflector



textile reflector
7' (210 cm)

SETDLRAP7-BI

Complete set consisting of: DLRAP7-BI Light head, DT40-BI power supply, 2 cables DPOW20, textile reflector 7' (210 cm), front and inner diffuser, cable AC to DT40-BI, DLRAP7 front protection (transport) ballast holder DEB1200H



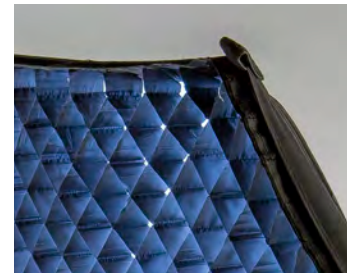
mandatory accessory:
already included in „set“
(above)



DEB1200H

stand mounting with 2x CLAMP-D

Options:
transport case
on request



DLPA7G

Grid 40°, fits Panaura 7



EXALUX

Most of the dedolight fixtures can be controlled via DMX protocol.

DWF supplies a variety of lighting desks for different applications; commonly DMX fixtures are connected via DMX cables.



DLSDC-12

DMX-mixer 12 channel

With the Connect One System from Exalux the gaffer has a solution to control DMX fixtures via WiFi through Android or iOS smart devices.

On sets long DMX cable runs can be avoided between lighting desk and fixtures and hence enable fast operating.

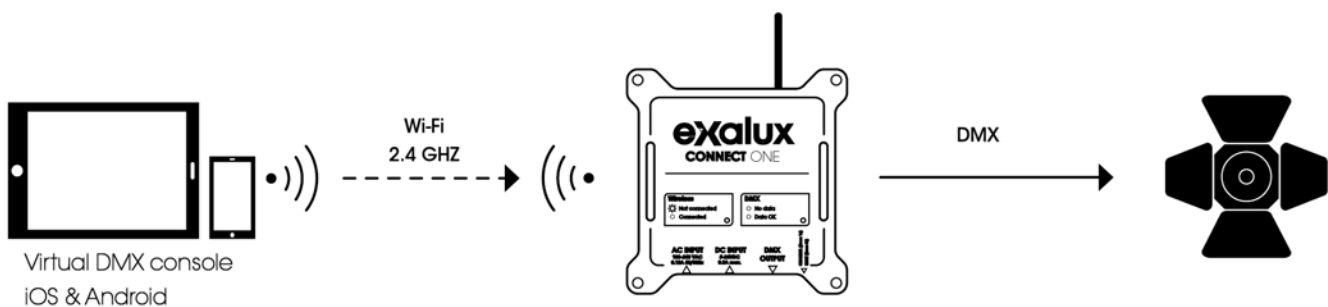
Exalux offers intuitive DMX Apps Connect and Connect+ for easy operation; yet the system can work with sophisticated APPs from other manufacturer.

The Connect One Systems operates as a WiFi access point and translates WLAN into one DMX universe with 512 adresses.



EXA-C1K

Exalux Connect One Kit



Virtual DMX console
iOS & Android



Dedo Weigert Film GmbH

Karl-Weinmair-Straße 10
D-80807 Munich, Germany

Phone: +49-(0)89 - 356 16 01
Fax: +49-(0)89 - 356 60 86

info@dedoweigertfilm.de
www.dedoweigertfilm.de